



Explore!  
.....The Safety Brand.....



# RYXO LOCKOUT TAGOUT

[www.ryxosafety.com](http://www.ryxosafety.com)

Owned By  
Clearway Safety & General Trading  
Abudhabi - UAE  
+971 561080825









## COMPANY PROFILE

Synonymous to Lockout Tagout safety since 2015 as a professional safety solution dedicating to the philosophy "Safety Prevention First, Safety Lockout Second", which provides an integrated network LOTO system including software and hardware, all kinds of safety lockout, safety tags, personal protective supplies etc.

By introducing international advanced manufacturing technique and philosophy, our company not only focused on R&D of new products, but also paid more attention to product quality. Our target is doing our best to provide customers with reliable safety protective products and create a professional, standard and safe working environment for workers.



## MISSION

Persisted in the principal of "Safety First", dedicated to promoting "Safety Lockout" prevention system to reduce production safety incidents. To ensure the life of front-line workers be safe.



## VISION

To create an intimate service for the customer, provide a worthy of long-term rely on career for the staff.

## VISION

RYXO SAFETY lockout Tagout obtained well-reputation among customers through a series of successful business cooperations with large enterprises from different industry, our products can be used for petrol, chemical, pharmacy, steel, semiconductor, electric power and engineer projects etc.





## WHAT IS LOCKOUT/TAGOUT?

Lockout/Tagout (LOTO) refers to specific practices and procedures to safeguard employees from the unexpected energization or startup of machinery and equipment, or the release of hazardous energy during service or maintenance activities. This critical process was introduced in the United States by OSHA Standard 29 CFR 1910.147, in 1989 to enforce LOTO compliance across general industries. Hazardous energy, which may manifest in various forms such as electrical, mechanical, hydraulic, pneumatic, chemical, nuclear, thermal, gravitational, or potential, poses significant risks in the workplace. Properly executed LOTO procedures are essential to ensure that this energy is effectively controlled, preventing workplace injuries or fatalities and allowing employees to return safely to their homes each day.



## KEY DEFINITIONS

- **Affected Employee:** This term refers to any individual whose duties involve operating equipment that is under going maintenance under lockout or tagout, or whose role necessitates working in areas where such maintenance activities are taking place.
- **Authorized Employee:** This individual is designated and authorized to perform lockout or tagout on equipment to carry out servicing or maintenance tasks.
- **Energy Isolating Device:** A mechanical device that physically prevents the transmission or release of energy.
- **Lockout (Tagout):** The act of placing a lockout tagout device on an energy-isolating device in strict adherence to an established energy control protocol. This action ensures that the energy-isolating device and the equipment it controls remain inoperative until the lockout or tagout device is rightfully removed.

## WHEN IS LOCKOUT/TAGOUT REQUIRED?

Lockout Tagout procedure should be followed during servicing or maintenance of equipment where a worker could be injured by the unexpected start-up or release of stored energy when he/she

- \* Is required to remove or bypass a guard or other safety device or feature.
- \* Is required to place any part of his or her body into an area near the point of operation of any equipment.
- \* Has to enter, or partially enter the area where a machine or piece of equipment may operate.

As per OSHA, servicing and/or maintenance includes all activities such as:

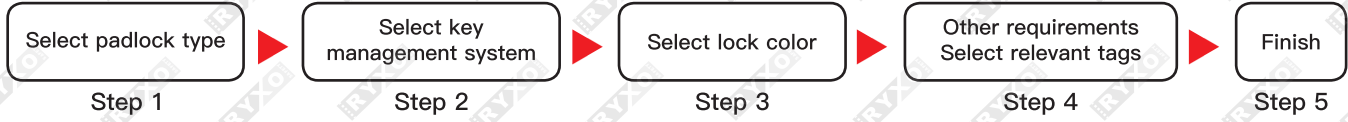
**Constructing | Installing | Setting up | Adjusting | Inspecting  
Modifying | Lubricating | Cleaning | Unjamming | Tool changes**







# HOW TO CHOOSE TRADITIONAL LOCKOUT?



## STEP 1 : SELECT PADLOCK TYPE



Stainless Steel Shackle



Steel Shackle



Nylon Shackle



Steel Cable Shackle



Long Steel Shackle



Long Nylon Shackle



Small Steel Shackle



Small Nylon Shackle



With Rewritable Warning Lables



Key Retaining Feature: The Key Can Be Removed Only If The Padlock Locked (Has The "LOCK OUT"Logo)



All Brass Key( Chrome Plated) : Anti-Rust and Sparkproof.

Made of Durable Reinforce Nylon PA+15% Fiber. Withstand Temperature From -57°C To 177°C.



Internal Structure (Full Metal): More Durable and Higher Precision.

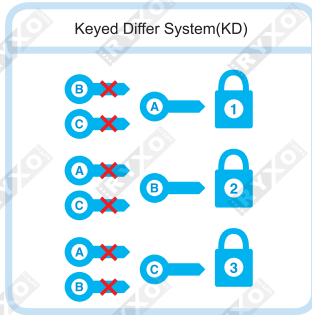


① All Brass Cylinder(7 Pins) ② All Brass Cylinder(5 Pins) ③ Zinc alloy cylinder / Disk Cylinder : Anti-Rust, Anti-Oxidation, High Accuracy And Low Efficiency, Large KD Maximum Combination

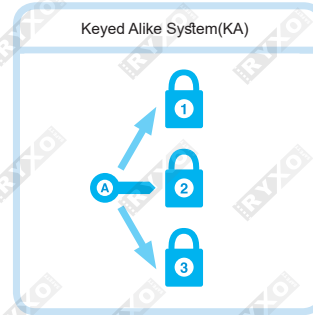




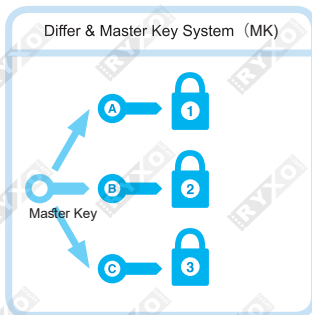
## STEP 2 : SELECT KEY MANAGEMENT SYSTEM



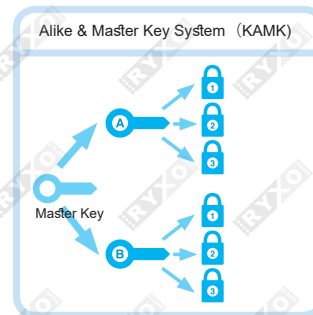
Each lock has only one key, The key can not match other key.  
 Advantage: Your lock cannot be opened by another lock.



The keys within a designated group fit each other's locks and any one or more keys fit all padlocks in the group. Multiple groups can be customized and the keys in different groups do not mutually fit.



Each lock in a designated group has only one key. Keys do not mutually fit but a master key can open all the safety padlocks in the group. Multiple groups can be customized. The master key does not fit the locks in a different group but the general master key at a higher level can be designated to fit all padlocks in all groups.



After multiple groups of keyed alike series are determined, if you need to designate the supervisor at a higher level to fit all groups, you may add a master key.

## STEP 3 : SELECT LOCK COLOUR

Use different colors to distinguish and to prevent conflicts when multiple departments are used at the same time.



## STEP 4 : OTHER REQUIREMENTS

Customized Safety Tags

Customized Key Number

Laser Engraving Service

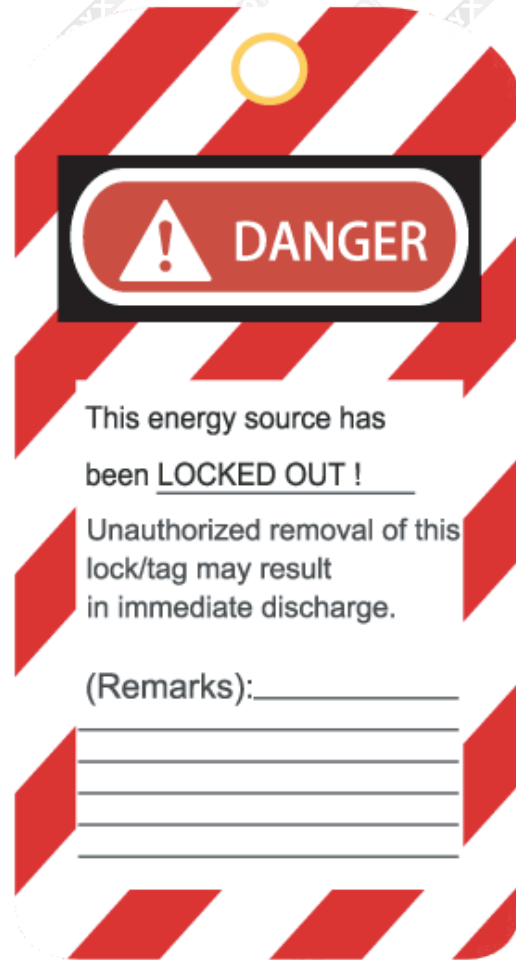
Waterproof And Dustproof Rubber Sleeve







## SAFETY TAGS



'Danger, Do Not Operate' Safety Tag **145mm (L) x 75mm (W) x 0.42mm (D)** Alert workers that servicing or maintenance is being carried out by using a safety tag. Provides an area for an authorised person to sign off and date. Made from flexible & durable polyethylene, ideal for indoor and outdoor use. Water resistant to withstand all weather conditions.

1. Flexible, durable polyethylene withstands a wide range of temperatures
2. Ideal for indoor and outdoor use – water-resistant to withstand weather conditions
3. Writable surface is abrasion-resistant



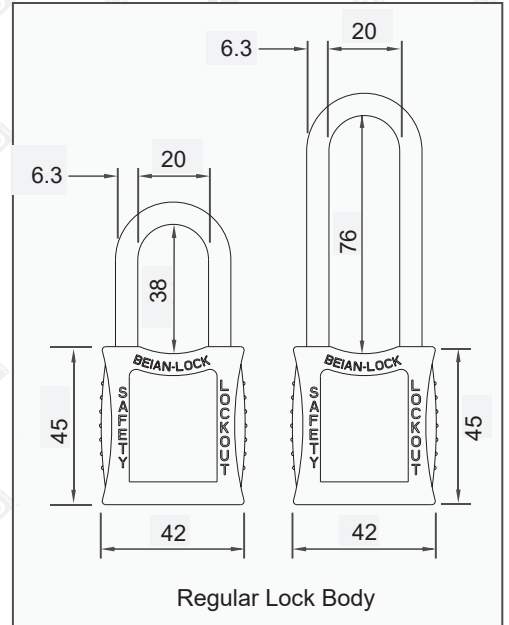


WhatsApp



## SAFETY PADLOCKS

ITEM CODE	SHACKLE MATERIAL	SHACKLE HEIGHT	LOCK BODY
	Steel	38mm	Regular Lock Body
	Nylon	38mm	
	Steel	76mm	
	Nylon	76mm	



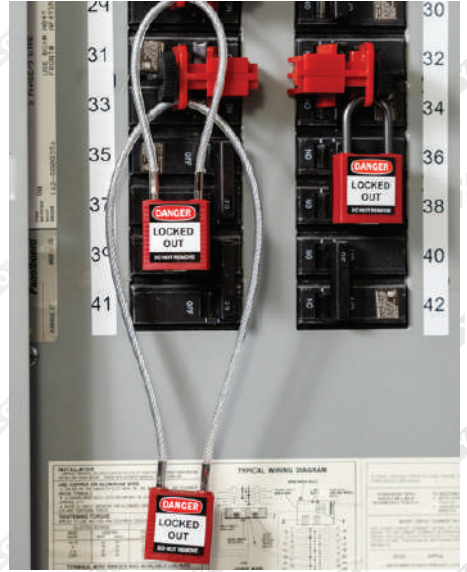




ITEM CODE	SHACKLE MATERIAL	LOCK BODY
	Cable	ABS Shell

**COLOURS**

RED	BLK
-----	-----





## CABLE LOCKOUTS



### Adjustable Steel Cable Lockout

- a. Made of durable and reinforce nylon PA, wear-resistant and corrosion-resistant, suitable for extreme environments.
- b. Keyhole diameter is 8mm. Accepts up to 5 padlocks for multiple lockout.

ITEM CODE	DESCRIPTION
#14859	Cable Diameter(Included black protective sleeve) :4mm Cable Length:1.5m

### Universal Wheel Cable Lockout

- a. Made of durable and reinforce nylon PA; brass material for internal parts.
- b. Red colour, accepts up to 8 padlocks.
- c. With handle on the cable lockout, no requires to use with a spanner, convenient for operating.

ITEM CODE	DESCRIPTION
#14858	Cable Diameter is 4mm(Included red protective sleeve),Length 1.5m



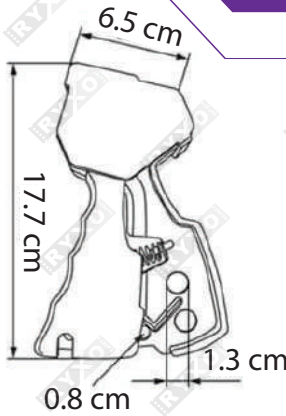
### Fish Shaped Cable Lockout

- a. Made of durable and reinforce nylon PA.
- b. Up to 6 padlocks with a diameter 8mm can be applied

ITEM CODE	DESCRIPTION
#14867	Cable Diameter is 4mm(Included red protective sleeve),Length :1.5m .



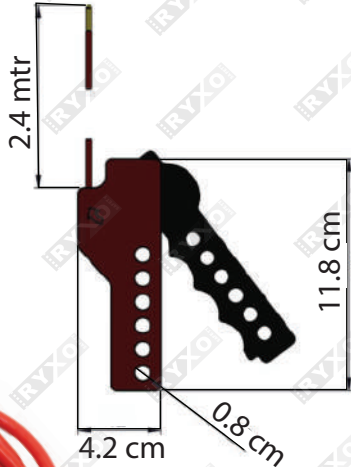




**Multipurpose Cable Lockout**

- a. Made from Impact resistant engineering plastic nylon PA
- b. Locked with one padlock, lock shackle diameter is less than 7mm

ITEM CODE	DESCRIPTION
<b>#14865</b>	Used 2.4 meter SS cable, the outer layer of cable is made form anti-UV PVC (diameter 3.5mm)



**Adjustable Cable Lockout**

- a. Made of industrial Impact Modified Nylon, stainless cable is coated with red plastic.
- b. Simply squeeze device to tighten cable, insert your padlock to secure the handle.

ITEM CODE	DESCRIPTION
<b>#14866</b>	Comes with cable length : 2.4Mtr, Dia:3.5mm



**ELECTRICAL LOCKOUT**

**Electrical Switch Lockout**



**#14860**



**#14861**



**#14862**



**#14863**

**Miniature Circuit Breaker Lockout**

- a. Miniature Circuit Breaker Lockouts require no tools for installation because the lockout is easily installed using the push button
- b. Available for single and multi-pole breakers

ITEM CODE	DESCRIPTION
<b>#14860</b>	PIS(Pin In Standard),hole spacing≤12mm
<b>#14861</b>	POW(Pin Out Wide),hole spacing≤20mm
<b>#14862</b>	TBLO(Tie Bar Lockout)
<b>#14863</b>	POS(Pin Out Standard),hole spacing≤12mm







Circuit Breaker  
Switch Toggle  
Width limit  
16mm

**#14854**



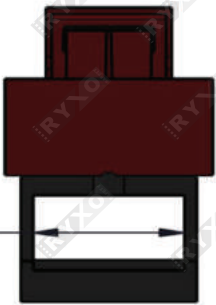
4.5 cm



5 cm



Circuit breaker  
Switch Toggle  
width limit  
40mm



Circuit Breaker  
Switch Toggle  
width limit  
70mm

**#14874**



7.5 cm



9 cm



### Clamp-On Breaker Lockout

- a. Made of rugged polypropylene PP and impact modified PA.
- b. Use thumbscrew to clamp lockout securely onto switch tongue, then pull cover and lock in place to avoid losing.

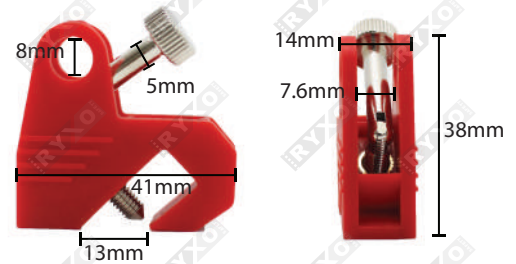
ITEM CODE	DESCRIPTION
#14854	Suitable for 120/277V circuit breakers; Can lock handle width ≤ 18mm
	Suitable for 480/600V circuit breakers; Can lock handle width ≤ 42mm
#14874	Suitable for 480/600V circuit breakers; Can lock handle width ≤ 72mm







**Multi-function Breaker Lockout**



ITEM CODE	DESCRIPTION
#14856	a. Made of reinforce nylon and chrome plated brass screw b. Accommodate padlock shackle diameter ≤ 7mm c. Widely Used applicable to all kinds of small and medium size MCB, and any Miniature circuit



**Easily Circuit Breaker Lockout**

ITEM CODE	DESCRIPTION
#14857	a. Made of reinforce nylon and chrome plated brass screw b. Accommodate padlock shackle diameter ≤ 7mm

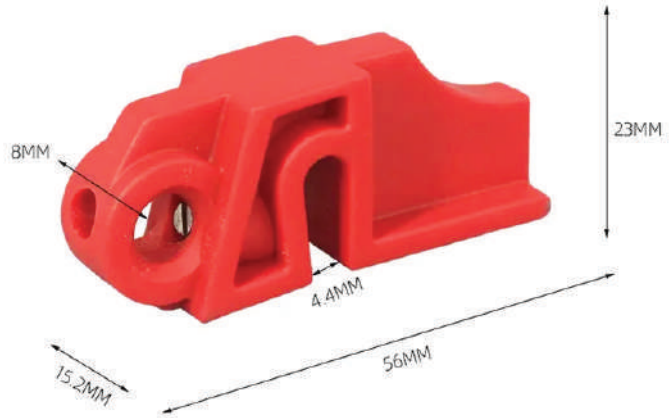


**Easily Circuit Breaker Lockout (Yellow)**

- a. Made from durable plastic
- b. Lockout 1 - 4 pole circuit breakers, 8mm padlock hole

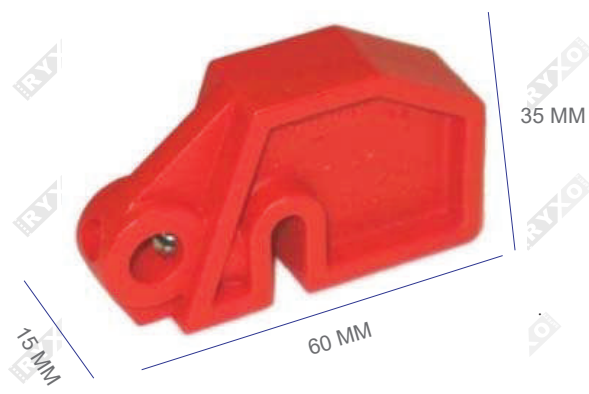
- A: 15mm (9/16")
- B: 12mm (1/2")
- C: 8mm (5/16")





## Easily Circuit Breaker Lockout

- a. Made from durable plastic with nylon PA
- b. For mini and middle size circuit breaker, Hole dia 8mm



## Easily Circuit Breaker Lockout

- a. Made from durable plastic with nylon PA
- b. 8mm padlock hole - max clamping 5mm
- c. Lock out 20 Amp to 400 Amp fuse holders



## Easily Circuit Breaker Lockout

- a. lockout of 1-4 pole circuit breakers
- b. Made from durable plastic with nylon PA
- c. 8mm padlock hole; Max. clampable thickness: 13mm

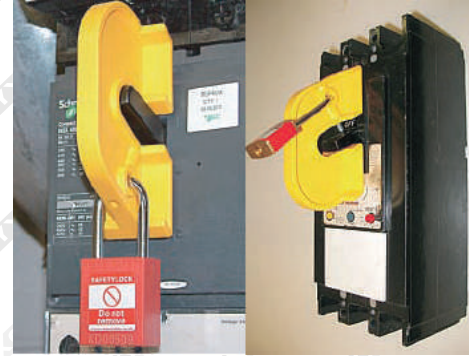
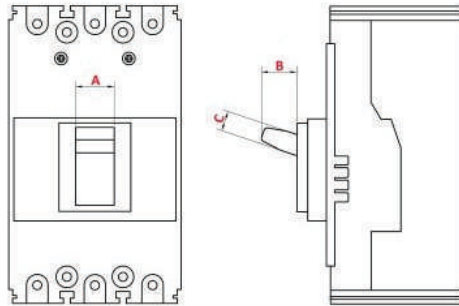






WhatsApp

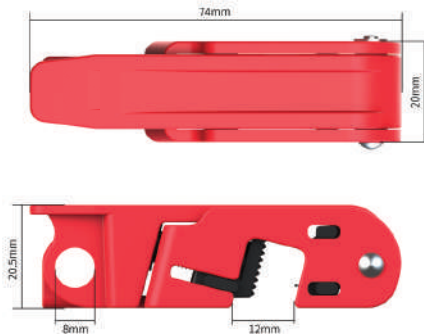
CIRCUIT BREAKER - CRITICAL DIMENSION SHEET



## Easily Circuit Breaker Lockout

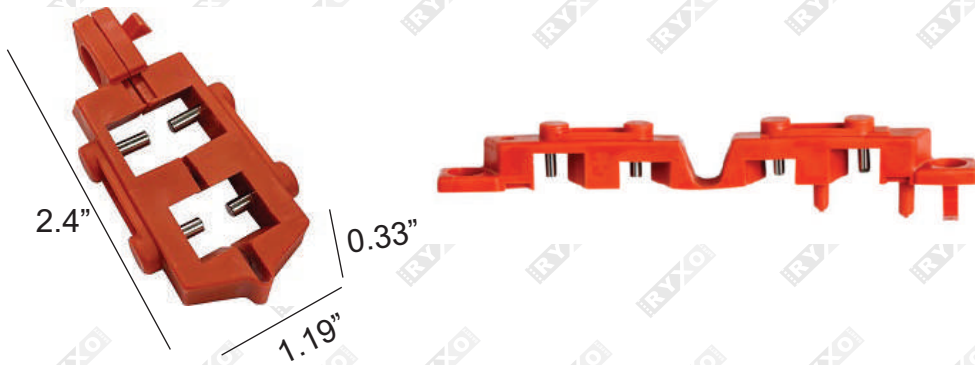
- a. lockout of 1-4 pole circuit breakers
- b. Made from durable plastic with nylon PA
- c. Locks out most types of large circuit breakers with a lever toggle, typically 480/600V

- A: No Limit
- B: 36mm (1-38")
- C: 18mm (11/16")



## Grip Tight Circuit Breaker Lockout

- a. Fits standard height and tie-bar toggles typically found on 120/240V breakers.
- b. Durable construction with reinforced polymer for operation in harsh environments



## Single Pole Circuit Breaker Lockout

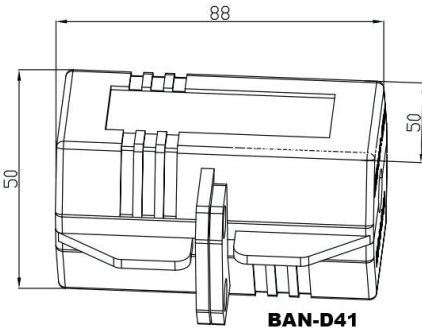
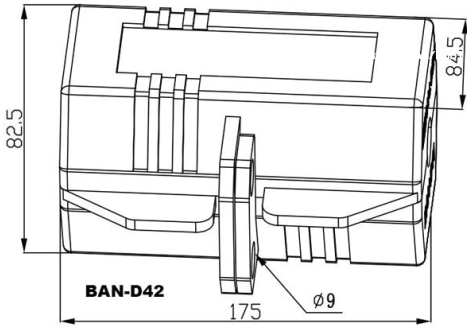
- a. Made from impact modified nylon PA and metal pins
- b. Accommodate different size switch tongues







## Plug Lockout



### Electrical Plug Lockout

Made from ABS material. Double open and hexagon lockout design, suitable for all kinds of industrial plugs.

	DESCRIPTION
	Small Plug Lockout (110V) 50mm(H) × 50mm(T) × 88mm(W), for cable diameter 13mm
	Large Plug Lockout (220/500V) 82.5mm(H) × 84.5mm(T) × 175mm(W), for cable diameter 25mm





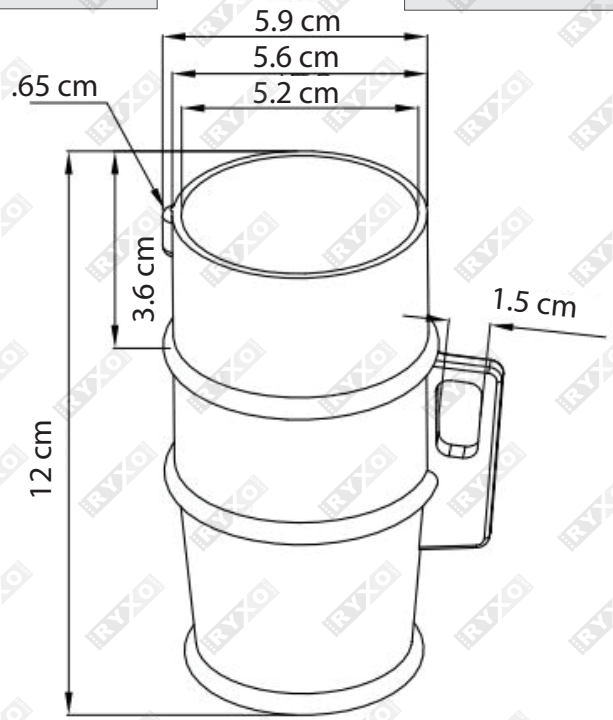
**#14870**  
**Red**



**#14871**  
**Blue**



**#14872**  
**Yellow**



## Industrial Waterproof Plug Lockout

Made of Engineering plastic PC. Just need to insert the lockout device in the socket and fasten the socket in the right position and then use the padlock or hasp to lock out the socket in place.







WhatsApp

## Button Lockout



#14873

### Multi-Function Button Lockout Main Part

Made of transparent high-strength glass resin material

Free from removal and easy for installation.

Just need to install the base seat on the bottom of the emergency stop switch.

Can be locked out and removed whenever required

#### FEATURES

- High-Strength Transparent Glass Resin
- Lightweight Design
- Transparent Color
- Easy Installation
- Convenient Removal
- Versatile Compatibility
- Reliable Lockout Protection
- Compliance Assurance



#### DESCRIPTION

#14873

S	Main part dimension:49.3mm(H)×60mm(D) + Inner diameter 22mm base seat
M	Main part dimension:49.3mm(H)×60mm(D) + Inner diameter 30mm base seat
L	Main part dimension:49.3mm(H)×60mm(D) + Inner diameter 34mm base seat (Base with 3M double-sided adhesive)







**#14869**



**#14868**



**Emergency Stop Lockout**

- a. Made from high strength transparent glass resin PC.
- b. Install on the controller button forever, avoid accidentally touch

ITEM CODE	DESCRIPTION
<b>#14869</b>	Height: 31.9mm; outer diameter: 49.6mm; install hole; inner diameter: 22mm
<b>#14868</b>	Height: 31.9mm; outer diameter: 49.6mm; install hole; inner diameter: 30mm





**Socket / Switch Protective Cover**



Suitable Wall Type Switches



**Socket Switch Protective Cover**

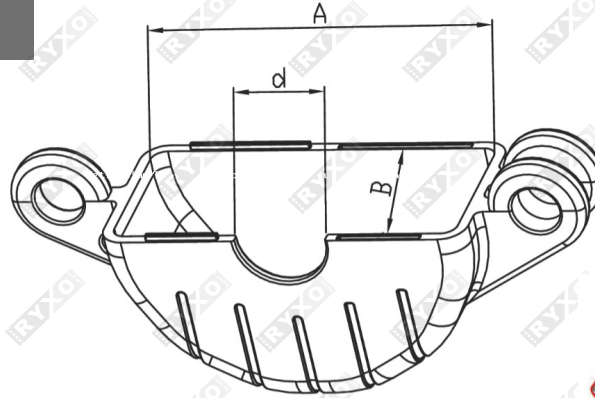
Made of 1.8mm thick durable, abrasion-resistant transparent PVC material; Suitable for single 45A double-pole switches, pull wires and all 25A single double-pole switches currently in the market, It is effective to prevent unauthorized operation and misuse.

	DESCRIPTION
	Without hole, with hinged door; 96mm × 96mm × 62mm



**VALVE LOCKOUT**

**Gate Valve Lockout**



**Gate Valve Lockout Red**

Design provides secure lockout for a wider range of valves, with the use of fewer devices. These covers easily rotate around valve handles to the fully engaged position, while also folding into smaller sizes for easy storage on maintenance carts and in lockout kits.

- a. Made of Dupont Nylon + 13% Fiber
- b. Lock with a shackle diameter up to 9.5mm.
- c. Comes with warning labels.

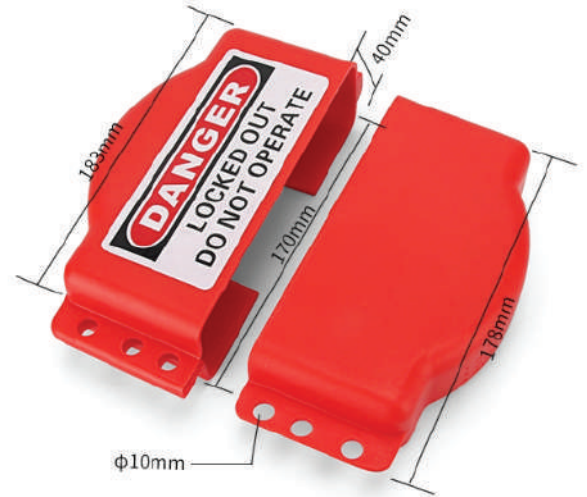
	DESCRIPTION	A	B	D
	Stem Diameter 25mm -71.5mm(1"-2.5")	71.5	30.5	Φ19
	Stem Diameter 71.5mm -134mm(2.5"-5")	134	40	Φ45
	Stem Diameter 134mm -173mm(5"-6.5")	173	45.5	Φ64
	Stem Diameter 173mm -273mm(6.5"-10")	276	63	Φ90
	Stem Diameter 273mm -355mm(10"-13")	355	61.5	Φ105







WhatsApp



## Adjustable Valve Lockout

Made of sturdy and durable polypropylene material; usable in an environment at -25 to 90 .



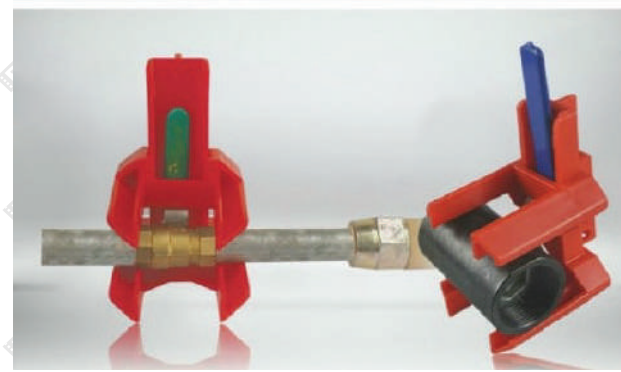
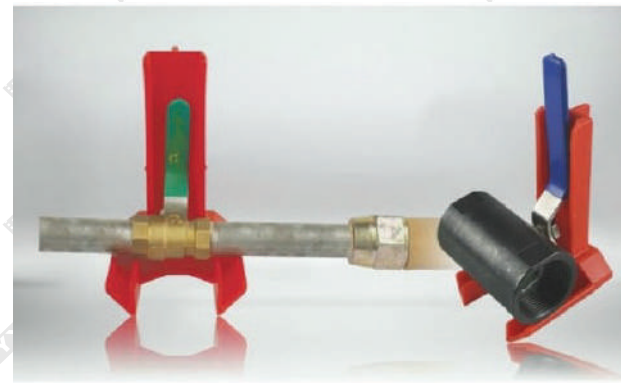
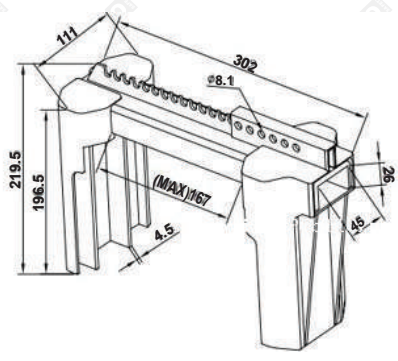
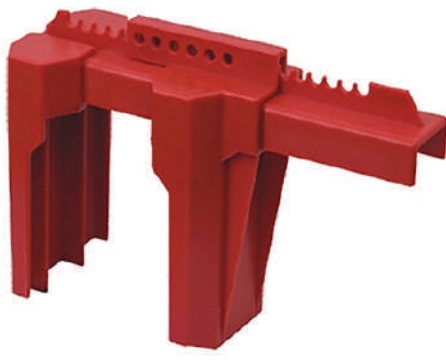
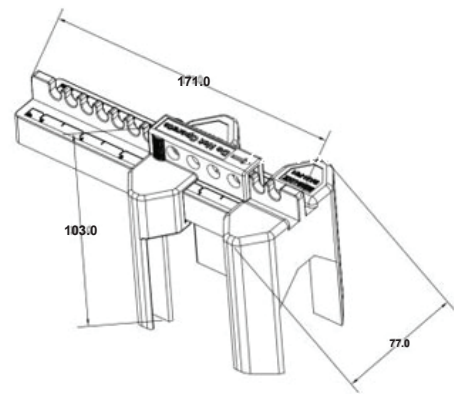
### DESCRIPTION

Suitable for valve stem diameter of 25mm to 165mm





**Ball Valve Lockout**



**Adjustable Ball Valve Lockout**

Crafted from durable polypropylene (PP) in a vibrant red color, these lockouts offer reliable valve isolation and safety.

	DESCRIPTION
	For DN8-DN50 ball valve, suitable for 13mm-64mm pipes in "OFF" position, and 13mm-32mm in "ON" position. Size : <b>171 mm (L) * 77 mm (H) * 103 mm (W)</b>
	For DN50-DN200 ball valve, suitable for 50mm-200mm pipes in "OFF" position Size : <b>302 mm (L) * 111 mm (H) * 219.5 mm (W)</b>







**#14855**

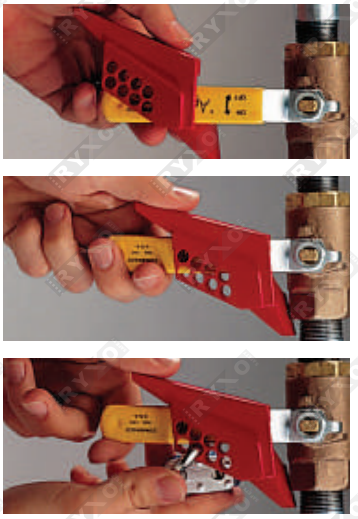


**#14875**



**Adjustable Valve Lockout**

Made of standard A3 steel plate, surface treatment by high temperature spray, not easy to rust. Specially used to lock the right angle turning and turned off ball valves.



ITEM CODE	DESCRIPTION
#14855	Suitable for 6.4mm to 25.4mm pipes(For DN8-DN50 ball valve)
#14875	Suitable for 31.8mm to 76.2mm pipes(For DN50-DN200 ball valve)







**LOCKOUT HASPS - MULTIPLE PERSONNELS FOR ONE LOCKING POINT**

**Metal Hasps**



**Steel Hasps**

Made of vinyl-coated high-strength steel with rust-proof coating, and the lock handle is injection-molded, engineering plastic, nylon PA 2mm-thickness steel plate stamping: The thickness can effectively improve the strength of the shackle and avoid the hasp being damaged or pried open.

ITEM CODE	DESCRIPTION
#14847	Hasp diameter is 1"(25mm), accept up to 6 padlocks.
#14848	Hasp diameter is 1.5"(38mm) , accept up to 6 padlocks.
#14849	Hasp diameter is 1"(25mm), accept up to 6 padlocks.
#14850	Hasp diameter is 1.5"(38mm) , accept up to 6 padlocks.





**#14851**



**#14852**

**Aluminium Hasps**



Made from surface treated and spark proof aluminum shackle with red nylon coated body. Allow multiple padlocks to be used when isolating one energy source.

ITEM CODE	DESCRIPTION	
<b>#14851</b>	Aluminium Hasp	Hasp diameter is 1"(25mm) , accept up to 6 padlocks.
<b>#14852</b>		Hasp diameter is 1.5"(38mm) , accept up to 6 padlocks.





## Non-Conductive Nylon Hasp



		DESCRIPTION
	Non-Conductive Nylon Hasp	Lock shackle diameter 6mm, accepts up to 6 padlocks
		Lock shackle diameter 6.5mm, accepts up to 6 padlocks
		Lock shackle diameter 3mm, accepts up to 3 padlocks
		Lock shackle diameter 3mm, accepts up to 4 padlocks
		Lock shackle diameter 6mm, accepts up to 4 padlocks







**PORTABLE GROUP LOCKOUT BOX**

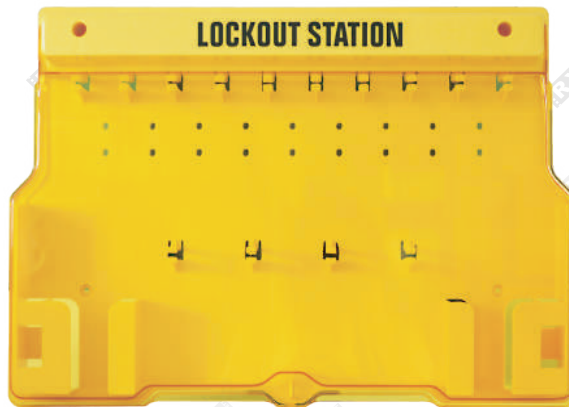


DESCRIPTION	
Mini Group Lock Box	Material :Powder-Coated Steel Plate
	186.7mm(H)×120.2mm(W)X108mm(D)
Red Portable Group Lockout Box	Material :Powder-Coated Steel Plate
	151.2mm(H)×230mm(W)X86mm(D)





**LOCKOUT STORAGE MANAGEMENT SOLUTION**



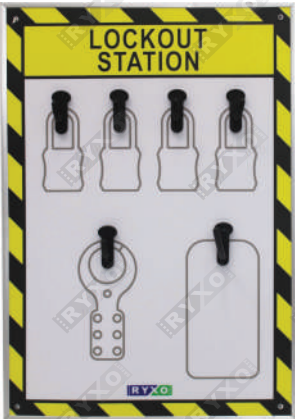
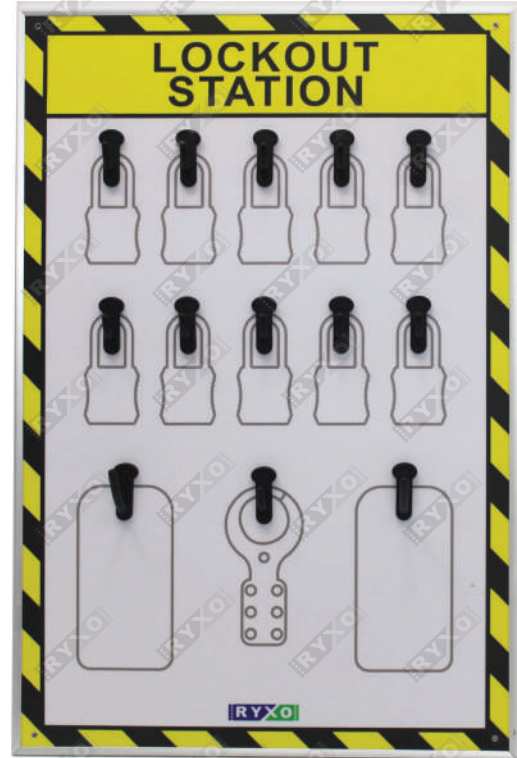
**Advance Lockout Station**

	DESCRIPTION
	Material :Engineering Plastic PC
	Dimension :406(L)×65(W)X315(H)
	Material :Engineering Plastic PC
	Dimension :558(L)×65(W)X393(H)





WhatsApp



## Lockout Station Hanging Board

DESCRIPTION	
Dimension :280mmx400mm	Made of Chevron board , PVC and aluminium alloy  Shadow contour is convenient to inventory and storage
Dimension :280mmx400mm	
Dimension :360mmx540mm	







**TAG MANAGEMENT SOLUTION**



**Padlock Storage Solution**

	MATERIAL	DESCRIPTION
	Carbon Steel	Dimension : 140mm(L)×40mm(W)X80mm(H)
		Dimension : 270mm(L)×40mm(W)X80mm(H)
		Dimension : 400mm(L)×40mm(W)X80mm(H)
		Dimension : 530mm(L)×40mm(W)X80mm(H)





## KEY MANAGEMENT SOLUTION



**Visible Key Cabinet (50 Keys)**

Material	Mild Steel+Transparent PC Window
Dimension	380mm(W)×80mm(D)×550mm(H)
Specification	Can hold 50 keys(Color:Grey)





## KEY MANAGEMENT SOLUTION



### Personal Safety Electrical Pouch Lockout Bag

Material	Made from water resisting polyester cloth
Dimension	280mm(L)×300mm(H)×80mm(W)
Specification	Light-weight and easy to carry

