



WhatsApp


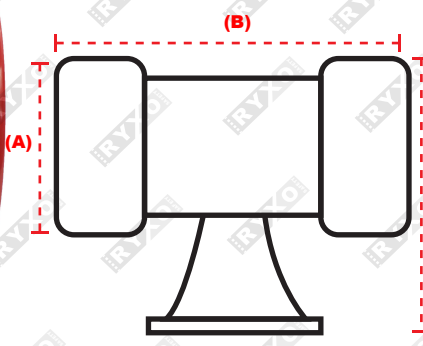


# RYXO

Explore!  
.....The Safety Brand.....

An electronic siren is an electronic device intended for use as a warning device. It can emit a typical, loud fluctuating sound. Stationary sirens serve to provide early mass public warning against or during natural disasters, fires, industrial accidents, or to sound air raid or chemical alerts at the times of war.

**CMS001**


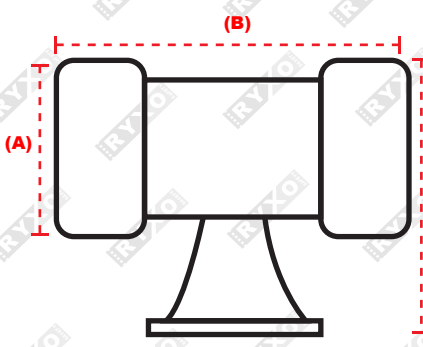



**MOTOR SIREN CMS-001 (AC220V)**

Decibel	: 170dB
Current	: 2.0
Frequency	: 50/60Hz
Insulation Resistance	100Ω (at 500VDC)
Protection Class	: IP44
Weight	: 10Kg

Transmission Distance : 1500Mtr  
Power : 600W

**CMS002**

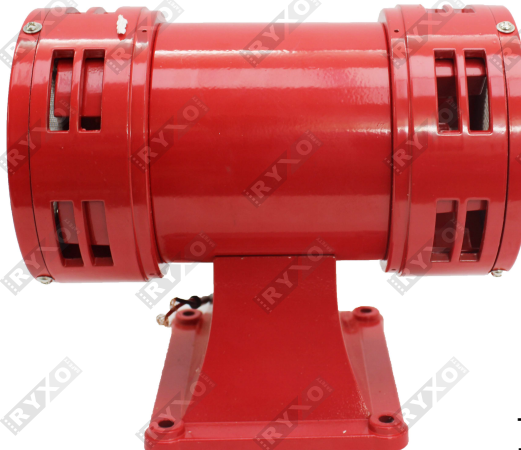
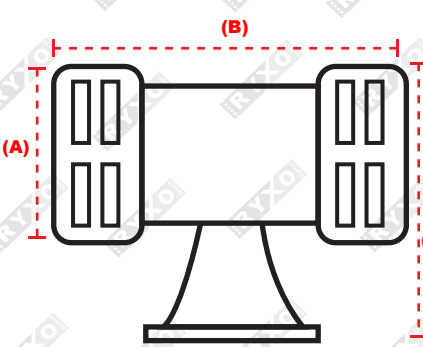



**MOTOR SIREN CMS-002 (AC220V)**

Decibel	: 160dB
Current	: 1.8A
Frequency	: 50/60Hz
Insulation Resistance	100Ω (at 500VDC)
Protection Class	: IP44
Weight	: 6Kg

Transmission Distance : 1300Mtr  
Power : 400W

**CMS003**

**MOTOR SIREN CMS-003 (AC220V)**

Decibel	: 125dB
Current	: 1.6A
Frequency	: 50/60Hz
Insulation Resistance	100Ω (at 500VDC)
Protection Class	: IP44
Weight	: 3.5Kg

Transmission Distance : 1000Mtr  
Power : 200W





WhatsApp



**RYXO**  
Explore!  
.....The Safety Brand.....

An electronic siren is an electronic device intended for use as a warning device. It can emit a typical, loud fluctuating sound. Stationary sirens serve to provide early mass public warning against or during natural disasters, fires, industrial accidents, or to sound air raid or chemical alerts at the times of war.

**CMS004**

**MOTOR SIREN CMS-004 (220V)**

Decibel	: 120dB
Current	: 1.0A
Frequency	: 50/60Hz
Insulation Resistance	: 100Ω(at 500VDC)
Protection Class	: IP44
Weight	: 2.2Kg
Transmission Distance	: 750Mtr

**CMS005**

**MOTOR SIREN CMS-005 (DC12V/AC220V)**

Decibel	: 118dB
Current	: 6A / 0.43A
Frequency	: 50/60Hz
Insulation Resistance	: 100Ω(at 500VDC)
Protection Class	: IP44
Weight	: 0.8Kg
Transmission Distance	: 500Mtr

**CMS006**

**MOTOR SIREN CMS-006 (DC12V/DC24V/AC220V)**

Decibel	: 114dB
Current	: 6A / 2.50A / 0.43A
Frequency	: 50/60Hz
Insulation Resistance	: 100Ω(at 500VDC)
Protection Class	: IP44
Weight	: 0.4Kg
Transmission Distance	: 300Mtr

